

W o r k s   s p a c e   f o r   b u s i n e s

Creation of aluminum products

P r o d u c t i o n   a n d   D e l i v e r y

MATERIALS FOR INTERIOR DESIGN  
AND CONSTRUCTION MARKET

STUDIO SEGRETO



We know how to create  
Aluminum products!

Always high-quality materials  
**MADE IN ITALY!**



powder painting, color  
anodizing,  
polishing, custom color  
selection!

Manufacturing company!



WE SEND GOODS TO ANYWHERE IN THE  
WORLD



AUTOMATED PRODUCTION



YOU CAN CHOOSE COLOR



## KIT PROFILS FOR PRODUCE SLIDING DOOR



Main characteristics:

Manufacturer - Studio Segreto

Country of manufacture - Italy

Profile type – door/partitions

Height 23 mm, width 43 mm

Length 3000 mm or 6000 mm

YOU CAN CHOOSE THE COLOR OF PROFILE

YOU CAN CHOOSE THE  
THICKNESS GLASS  
4mm/ 6mm/ 8mm/ 8.6 mm  
AND DESIGN

YOU CAN CHOOSE THE SIZE DOOR  
WIDTH MORE THAN 2 METERS  
HEIGHT MORE THAN 3 METERS

YOU CAN CHOOSE ANY SLIDING SYSTEM



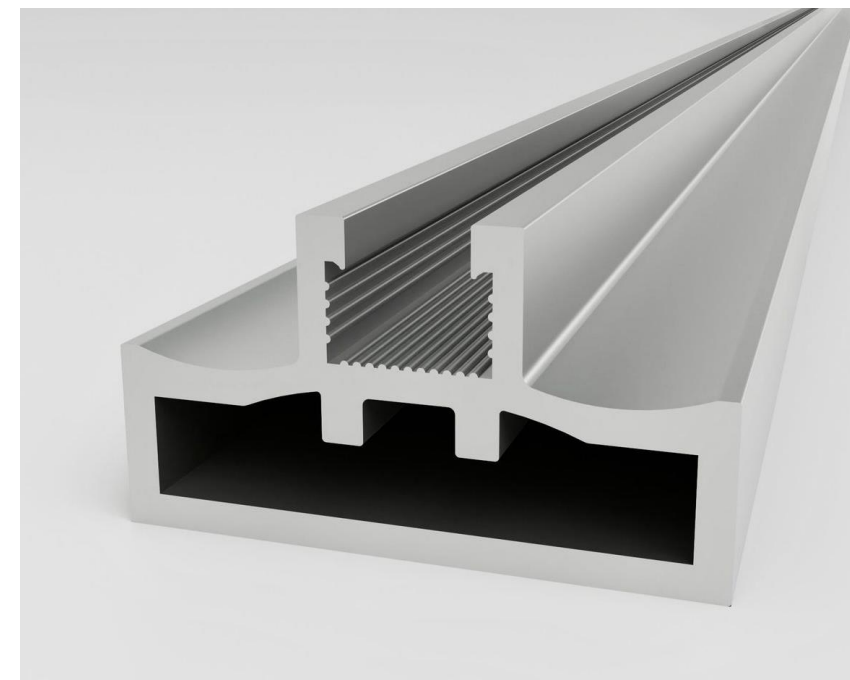
# KIT PROFILS FOR PRODUCE SLIDING DOOR STUDIO SEGRETO



KIT PROFILS FOR PRODUCE SLIDING DOOR

STUDIO SEGRETO

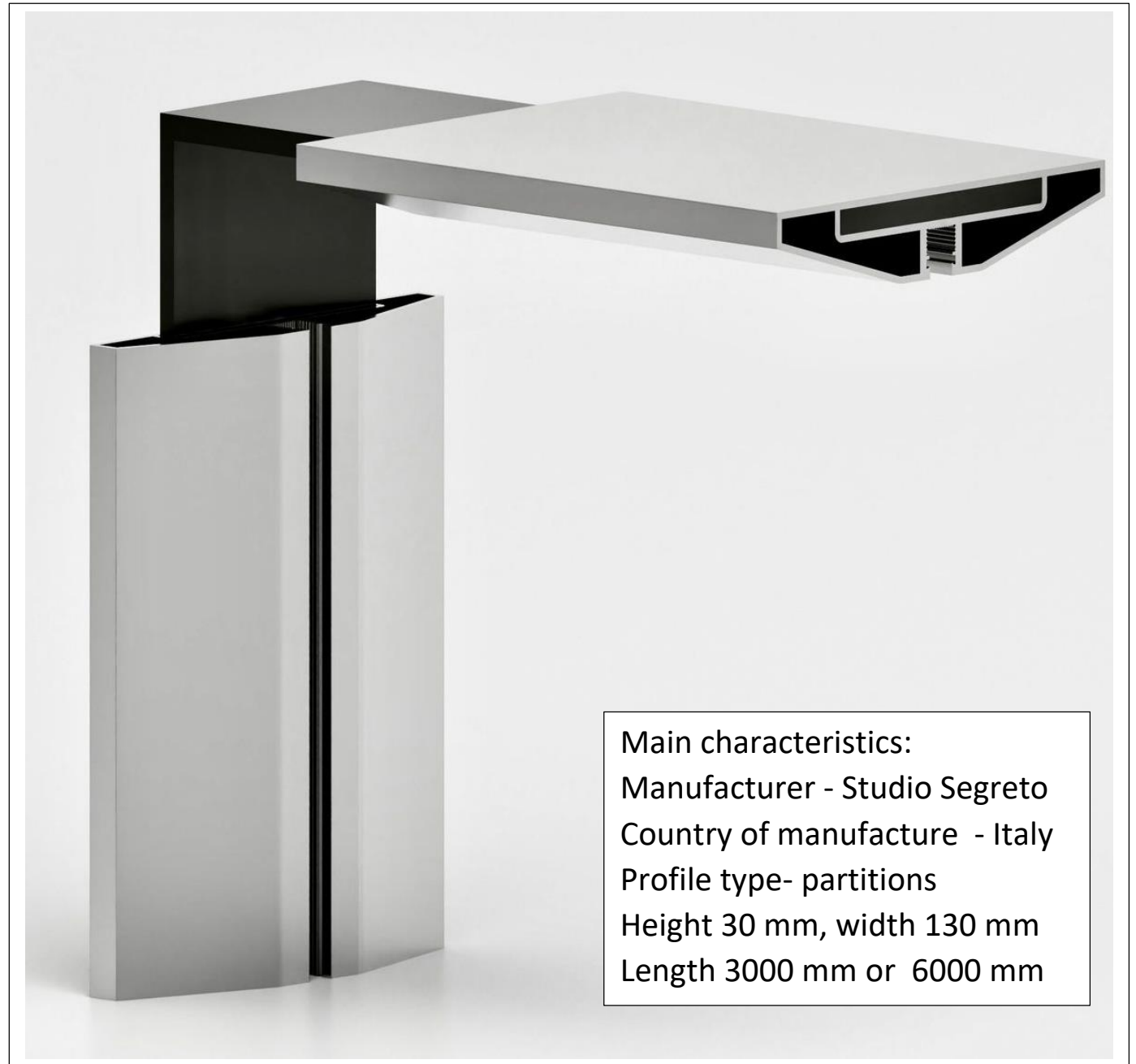
110% MADE IN ITALY



[WWW.STUDIOSEGRETO.COM](http://WWW.STUDIOSEGRETO.COM)

EMAIL: STUDIOSEGRETO.COM@GMAIL.COM

## KIT PROFILS FOR PRODUCE INTERIOR PARTITION



Main characteristics:  
Manufacturer - Studio Segreto  
Country of manufacture - Italy  
Profile type- partitions  
Height 30 mm, width 130 mm  
Length 3000 mm or 6000 mm





110% MADE IN ITALY



COLOR TO CHOICE  
powder painting, color  
anodizing,  
polishing, custom color  
selection!