

W o r k s s p a c e f o r b u s i n e s

Creation of aluminum products

P r o d u c t i o n a n d D e l i v e r y

MATERIALS FOR INTERIOR DESIGN
AND CONSTRUCTION MARKET

STUDIO SEGRETO



We know how to create
Aluminum products!

Always high-quality materials
MADE IN ITALY!



powder painting, color
anodizing,
polishing, custom color
selection!

Manufacturing company!



WE SEND GOODS TO ANYWHERE IN THE
WORLD



AUTOMATED PRODUCTION



YOU CAN CHOOSE ANY COLOR FOR PROFILE



UNIVERSAL SHADOW JOINT PROFILE FOR CEILING AND FLOOR

SHADOW JOINT PROFIL

SGTR 014

The shadow seam profile is used to create an even shadow seam at the junction of the wall and the ceiling along the perimeter of the entire room, creating the effect of a suspended ceiling. Resistant to household chemicals and ultraviolet radiation. It can also be installed as a plinth of a shadow seam. Designed for plasterboard systems. Easy to install, which speeds up the installation process. It has a channel for installing an LED

Main characteristics:

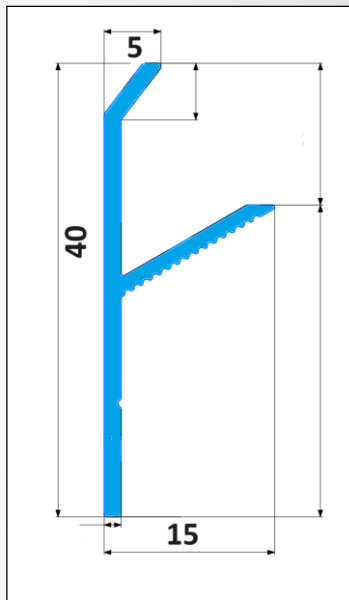
Manufacturer - Studio Segreto

Country of manufacture - Italy

Profile type ceiling and floor

Height 15 mm, shadow seam 40 mm

Length 3000 mm or 6000 mm



UNIVERSAL SHADOW JOINT PROFILE FOR CEILING AND FLOOR

SHADOW JOINT PROFIL

SGTR 014

The shadow seam profile is used to create an even shadow seam at the junction of the wall and the ceiling along the perimeter of the entire room, creating the effect of a suspended ceiling. Resistant to household chemicals and ultraviolet radiation. It can also be installed as a plinth of a shadow seam. Designed for plasterboard systems. Easy to install, which speeds up the installation process. It has a channel for installing an LED

Main characteristics:

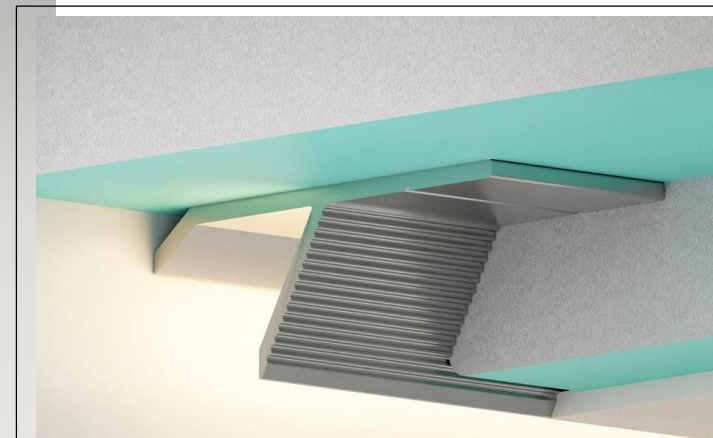
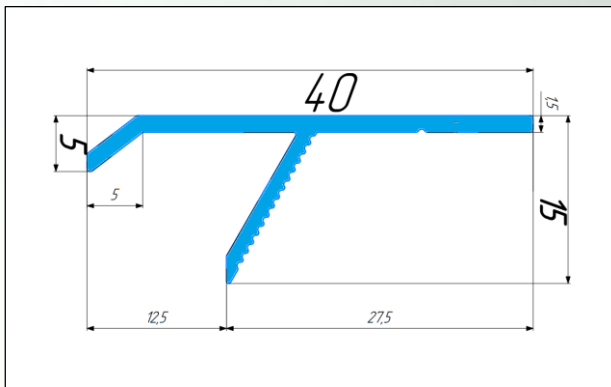
Manufacturer - Studio Segreto

Country of manufacture - Italy

Profile type ceiling and floor

Height 15 mm, shadow seam 40 mm

Length 3000 mm or 6000 mm



UNIVERSAL SHADOW JOINT PROFILE FOR CEILING AND FLOOR

SHADOW JOINT PROFIL

SGTR 014

The shadow seam profile is used to create an even shadow seam at the junction of the wall and the ceiling along the perimeter of the entire room, creating the effect of a suspended ceiling. Resistant to household chemicals and ultraviolet radiation. It can also be installed as a plinth of a shadow seam. Designed for plasterboard systems. Easy to install, which speeds up the installation process. It has a channel for installing an LED

Main characteristics:

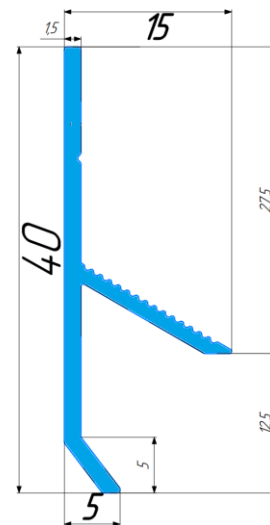
Manufacturer - Studio Segreto

Country of manufacture - Italy

Profile type ceiling and floor

Height 15 mm, shadow seam 40 mm

Length 3000 mm or 6000 mm



THRESHOLD SGTR 013

Aluminum threshold for floor. The threshold hides the joint between two floor coverings, linoleum, laminate, ceramic tiles, parquet boards, carpeting and many others

Main characteristics:

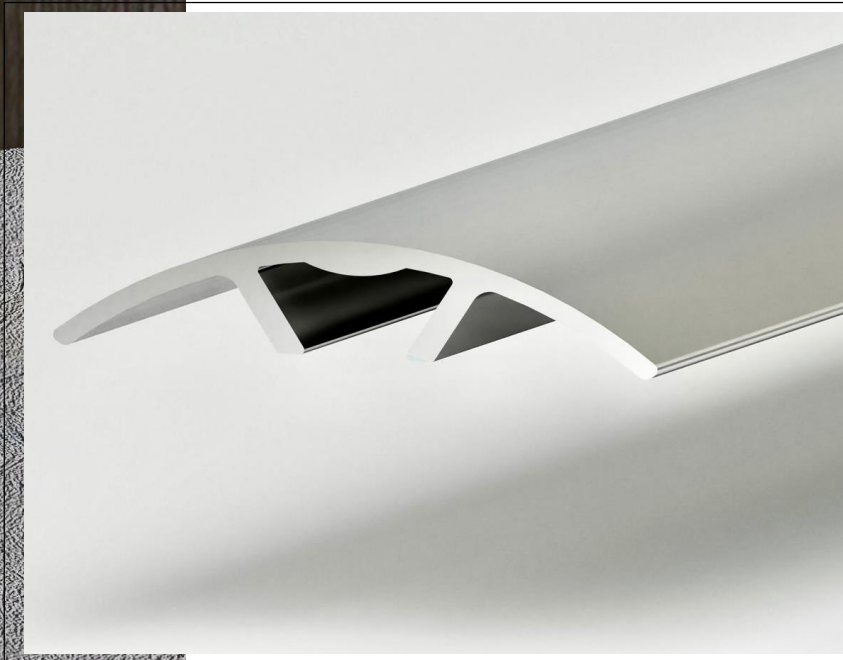
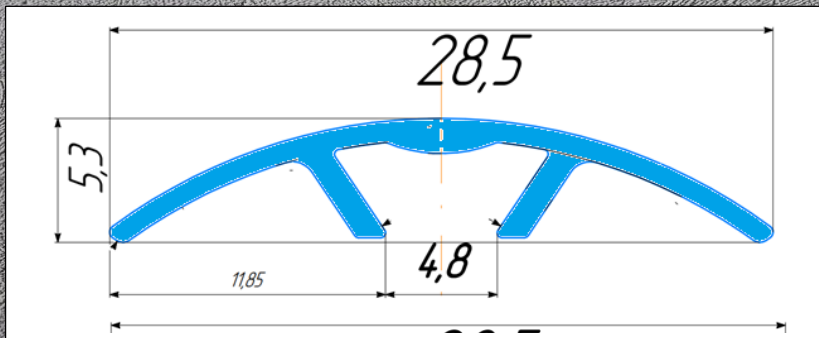
Manufacturer - Studio Segreto

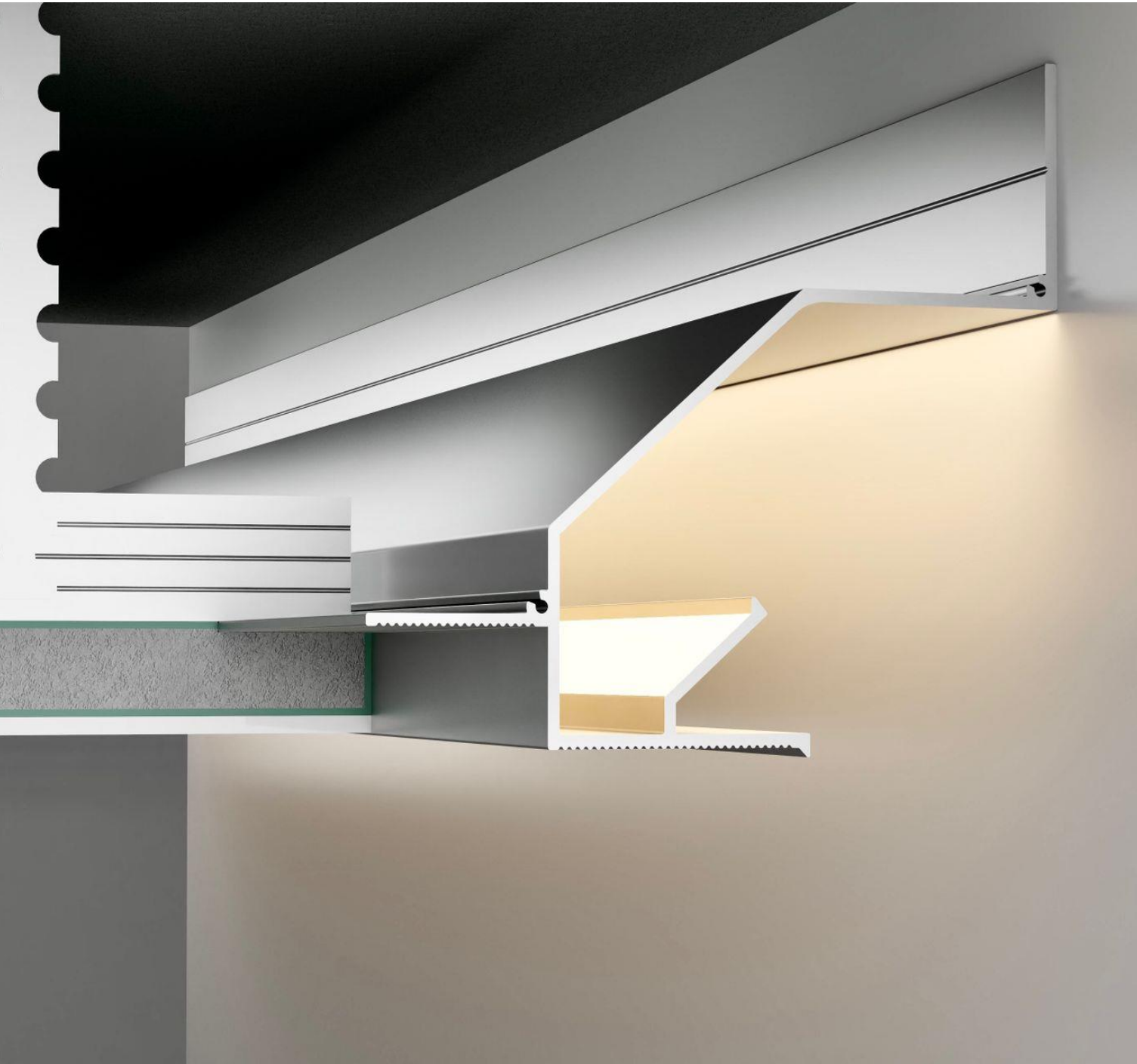
Country of manufacture - Italy

Profile type Ceiling

Height 5,3 mm, width 28,5 mm

Length 3000 mm or 6000 mm





Shadow seam aluminum profile 30 mm under the LED strip. It is used to create an even shadow seam at the junction of the wall and the ceiling along the perimeter of the entire room, creating the effect of a suspended ceiling. It has a channel for installing an LED strip, up to 14 mm wide, which provides additional illumination of the room. Designed for plasterboard systems. Easy to install, which speeds up the installation process.

Main characteristics:

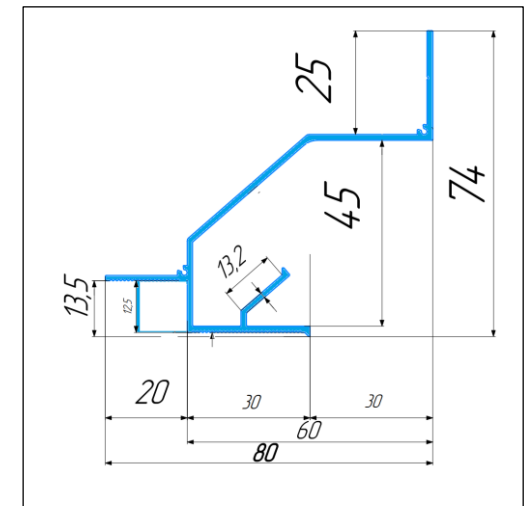
Manufacturer - Studio Segreto

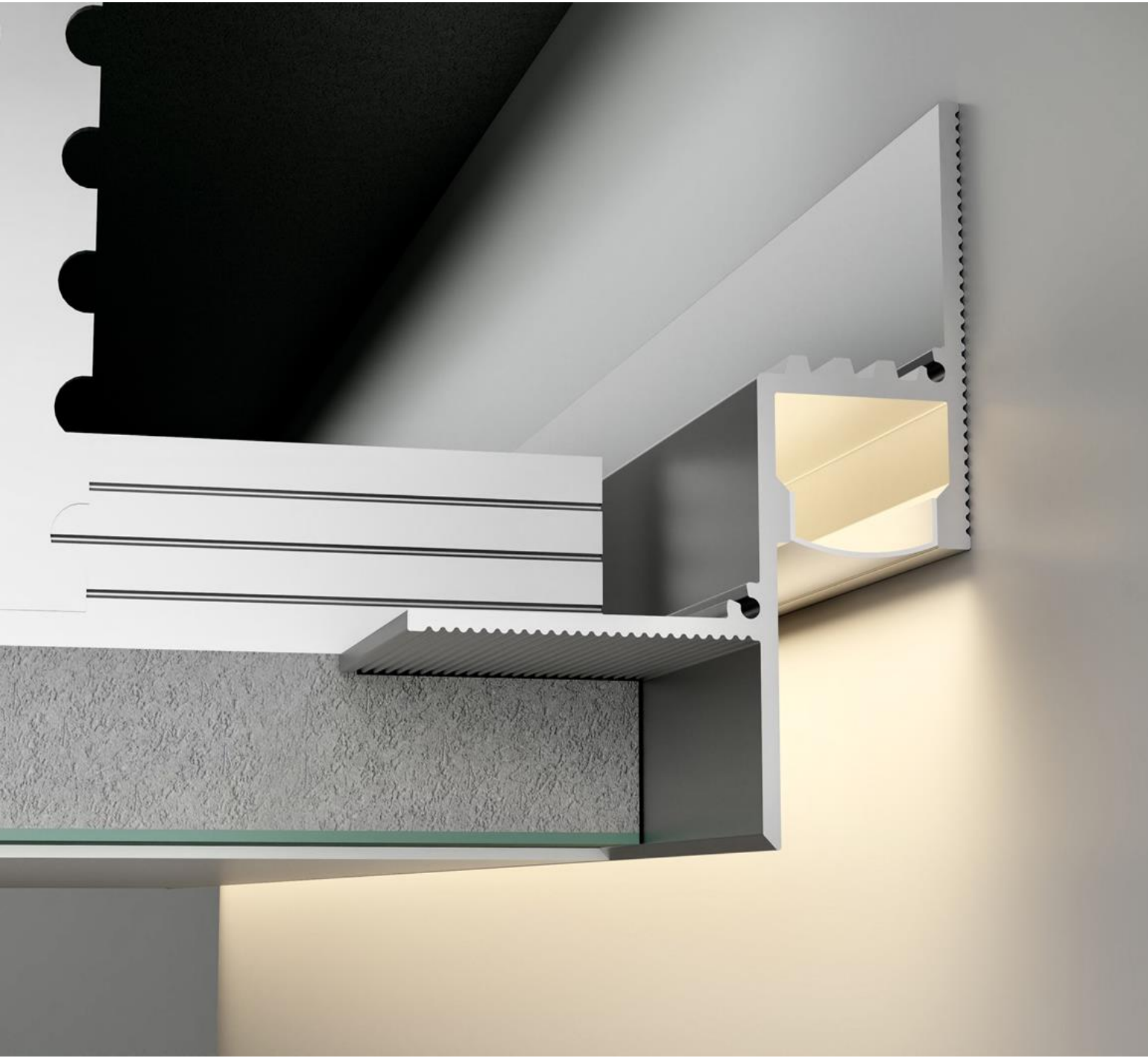
Country of manufacture - Italy

Profile type Ceiling

Height 74 mm, shadow seam 30 mm

Length 3000 mm or 6000 mm





Shadow seam aluminum 14 mm profile for LED strip. It is used to create an even shadow seam at the junction of the wall and the ceiling along the perimeter of the entire room, creating the effect of a suspended ceiling. It has a channel for installing an LED strip, up to 12 mm wide, which provides additional illumination of the room. It is additionally equipped with a 13 mm diffuser. Designed for plasterboard systems. Easy to install, which speeds up the installation process. Successfully complements modern design solutions.

Main characteristics:

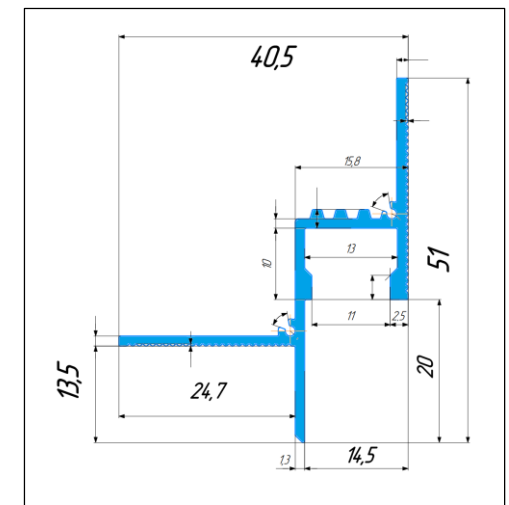
Manufacturer - Studio Segreto

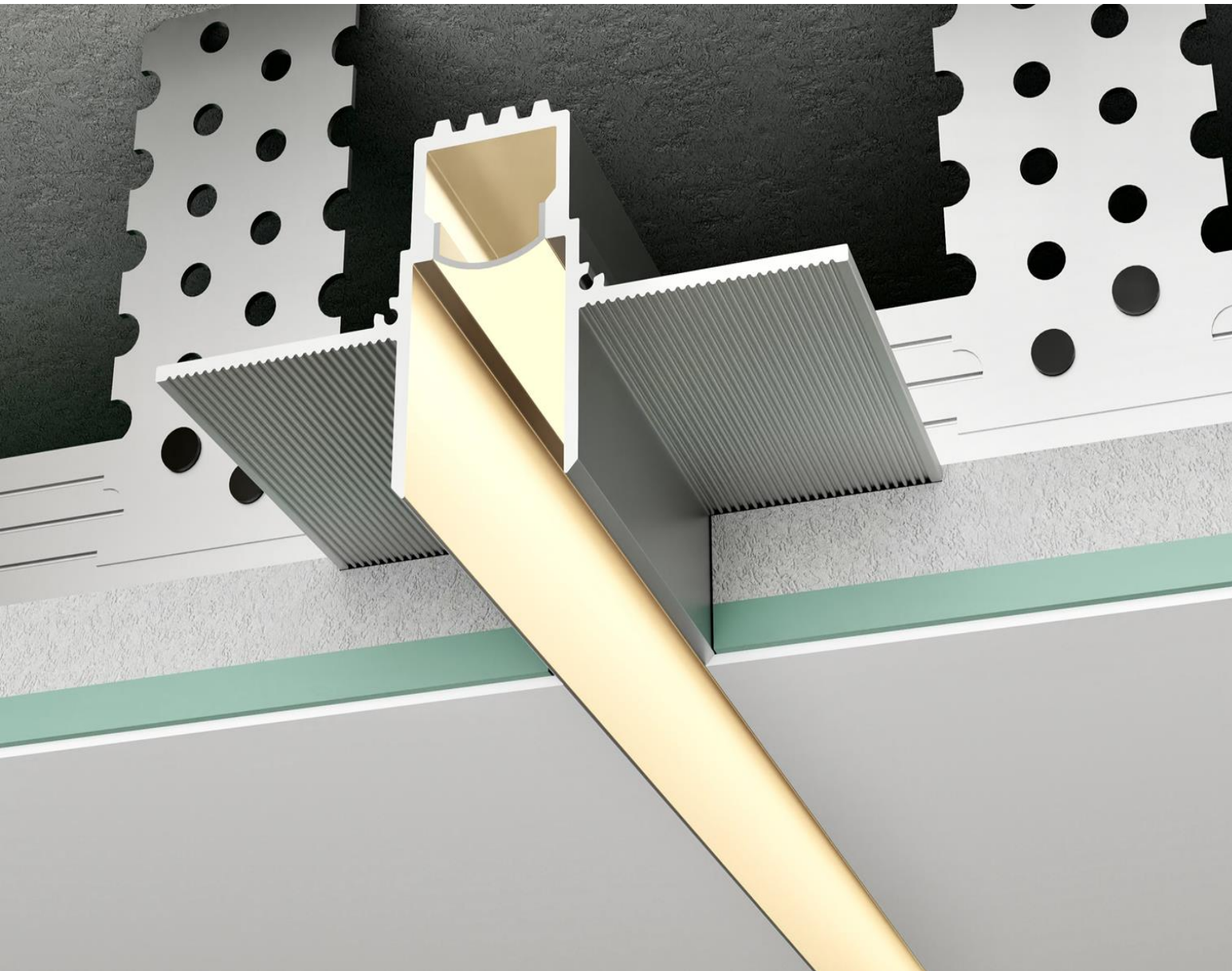
Country of manufacture - Italy

Profile type Ceiling

Height 51 mm, shadow seam 14,5 mm

Length 3000 mm or 6000 mm





Shadow seam aluminum profile 15 mm separable for LED strip. It is used to create chiaroscuro seams on a flat part of the ceiling or wall, dividing it into visual parts. It has a channel for installing an LED strip, up to 12 mm wide, which provides additional illumination of the room. It is additionally equipped with a 13 mm diffuser. Designed for plasterboard systems. Easy to install, which speeds up the installation process. Successfully complements modern design solutions.

Main characteristics:

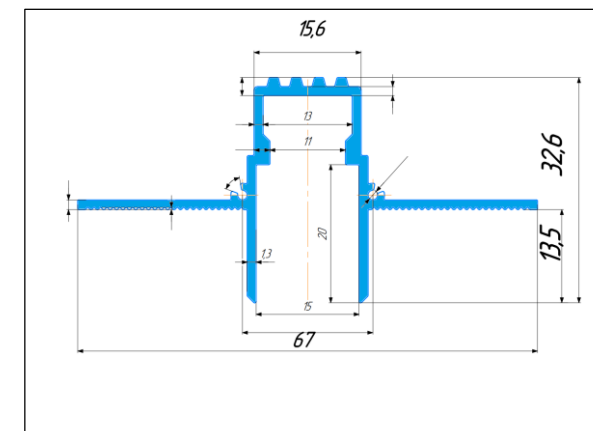
Manufacturer - Studio Segreto

Country of manufacture - Italy

Profile type Ceiling

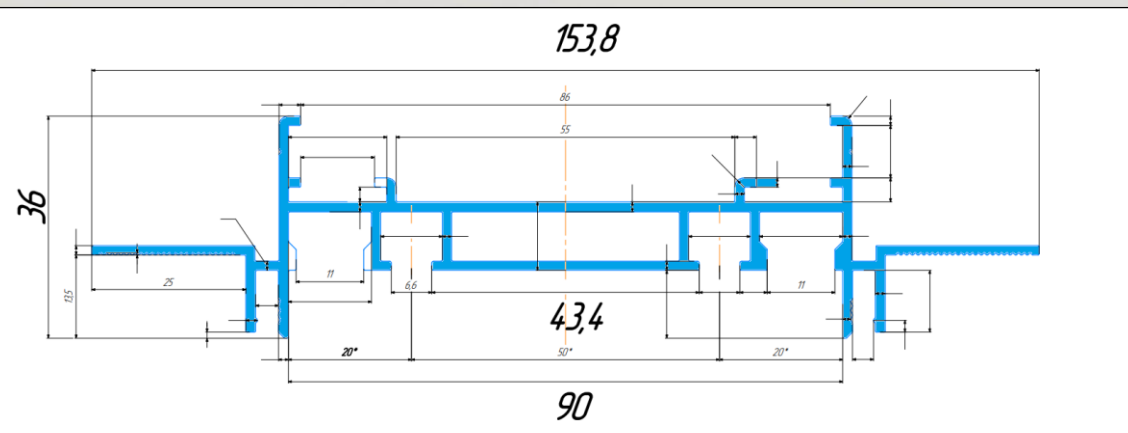
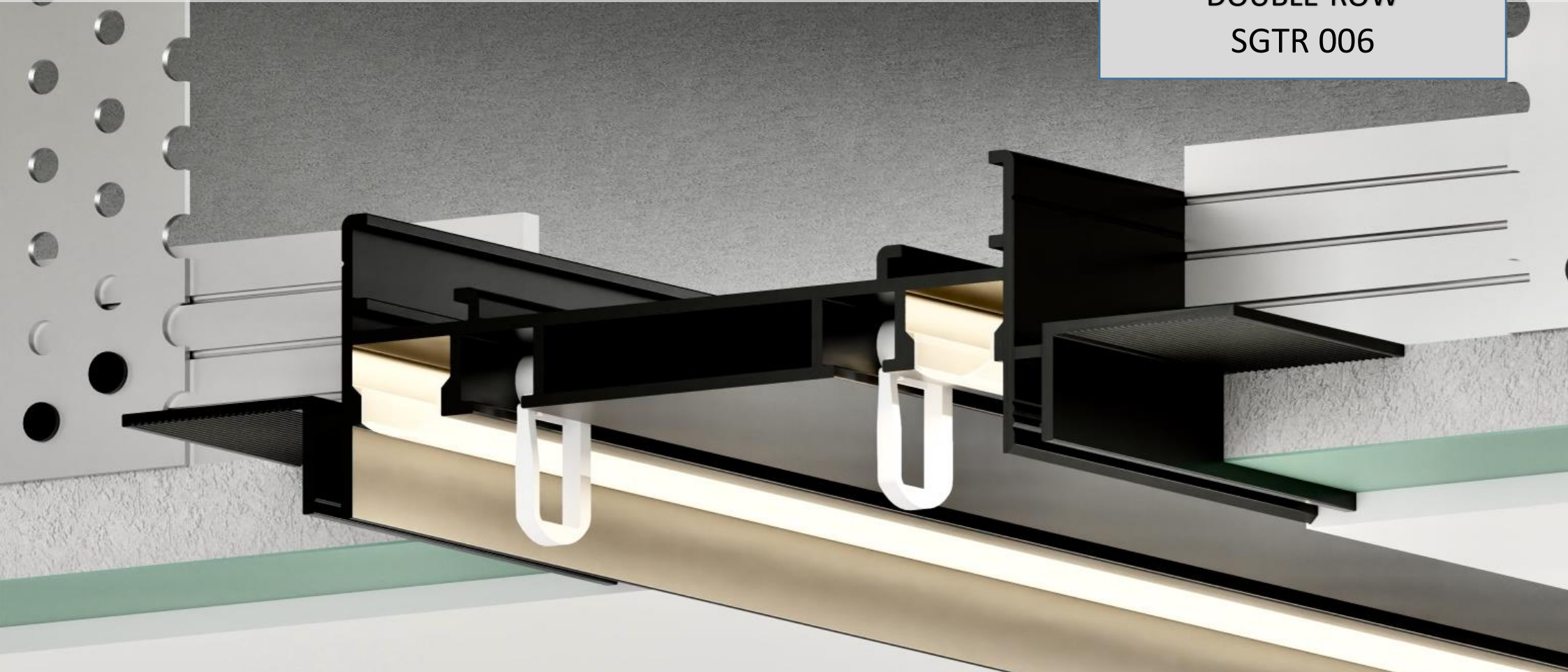
Height 32,6 mm, seam 15 mm

Length 3000 mm or 6000 mm



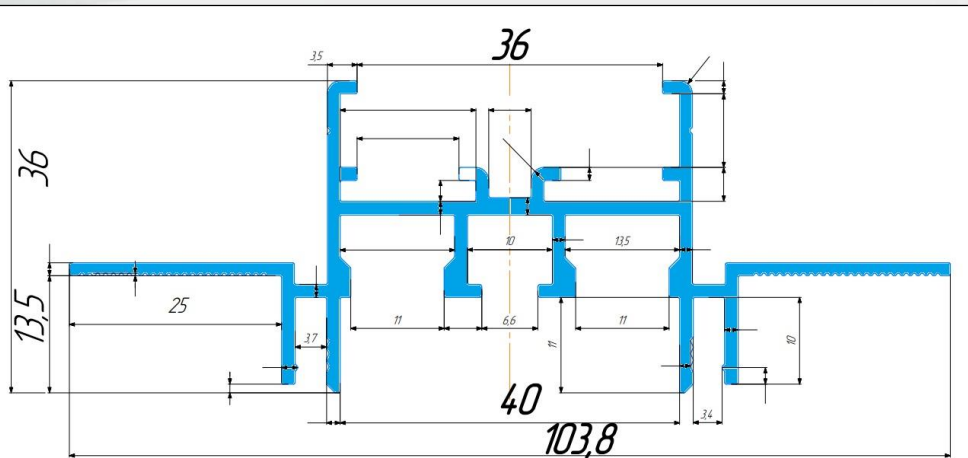
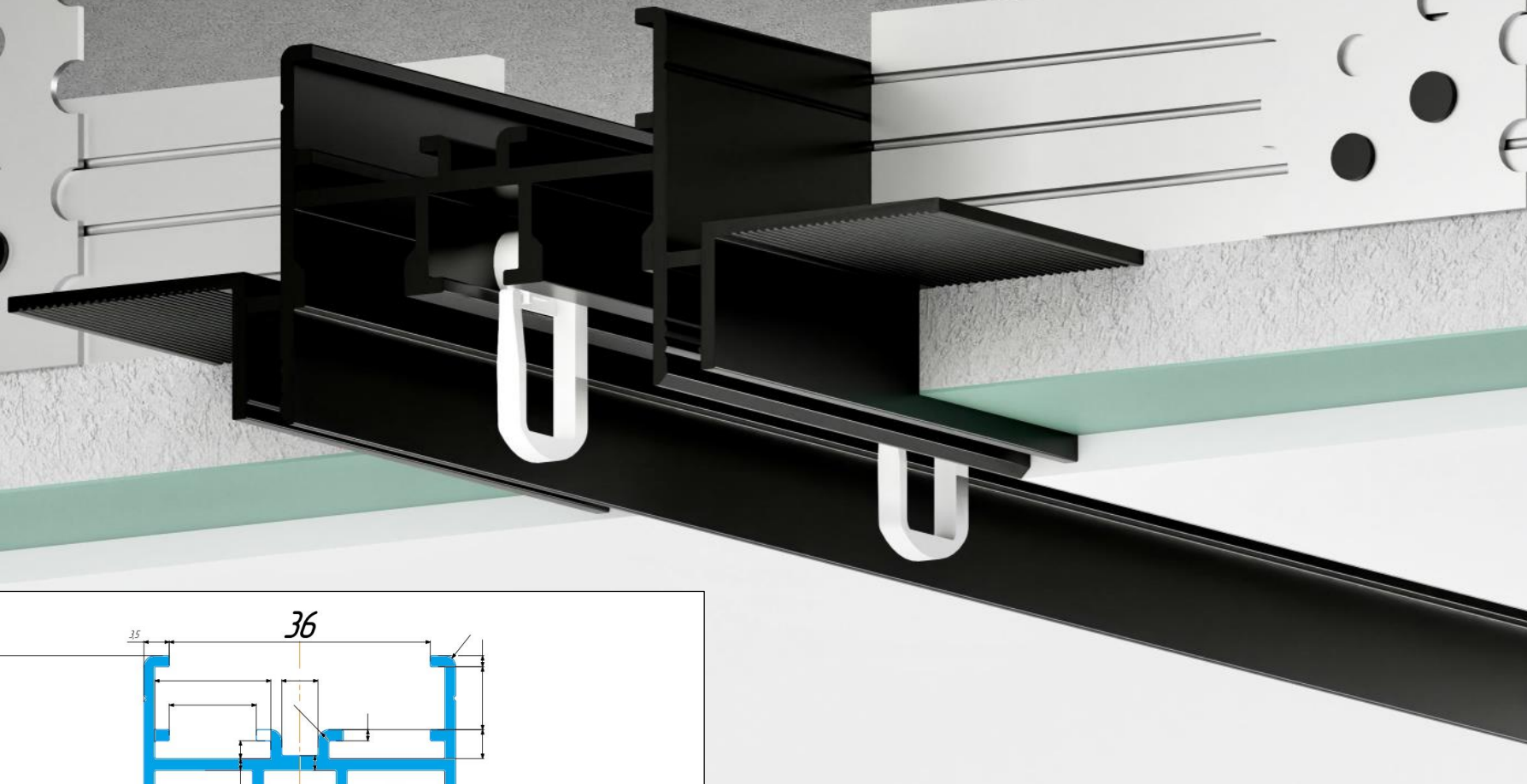
STUDIO SEGRETO

HIDDEN-MOUNTED
CORNICE FOR CURTAINS
DOUBLE-ROW
SGTR 006



Concealed aluminum cornice, universal double-row with possibility LED strip, up to 12 mm wide. Suitable for plasterboard and stretch ceilings. The minimalist design fits well into any interior. The cornice is made of aluminum, which allows it to withstand the load and makes it durable in use. It is attached to hangers for plasterboard. Main characteristics: Manufacturer - Studio Segreto. Country of manufacture - Italy. Profile type Ceiling. Height 36 mm, width 153,8 mm. Length 3000 mm or 6000 mm

HIDDEN-MOUNTED
CORNICE FOR CURTAINS
SGTR 007

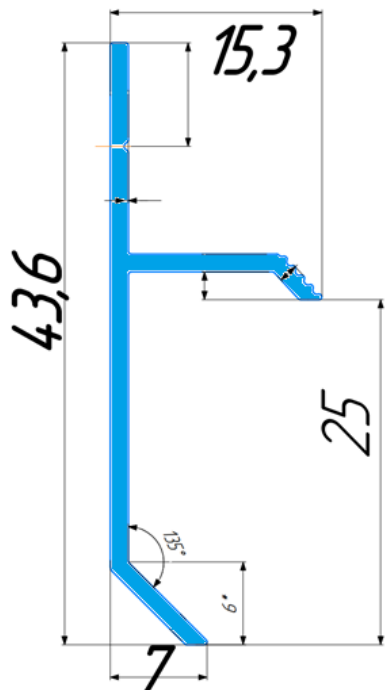


Concealed aluminum cornice, universal single-row with possibility LED strip, up to 12 mm wide. Suitable for plasterboard and stretch ceilings. The minimalist design fits well into any interior. The cornice is made of aluminum, which allows it to withstand the load and makes it durable in use. It is attached to hangers for plasterboard. Main characteristics: Manufacturer - Studio Segreto. Country of manufacture - Italy. Profile type Ceiling. Height 36 mm, width 103,8 mm. Length 3000 mm or 6000 mm

STUDIO SEGRETO

HIDDEN SKIRTINTH

SGTR 005



The plinth of the shadow seam is aluminum 20 mm. We paint in any color according to the RAL palette. It is used for installation under plasterboard in one or two layers and is installed flush with the wall, ideally separating it from the floor. Saves the useful area of the room and allows you to create the effect of hanging walls. It can be attached with self-tapping screws, glue or any other method convenient for you. Main characteristics: Manufacturer - Studio Segreto. Country of manufacture - Italy. Profile type - for the floor. Height 36 mm, width 103,8 mm. Length 3000 mm or 6000 mm

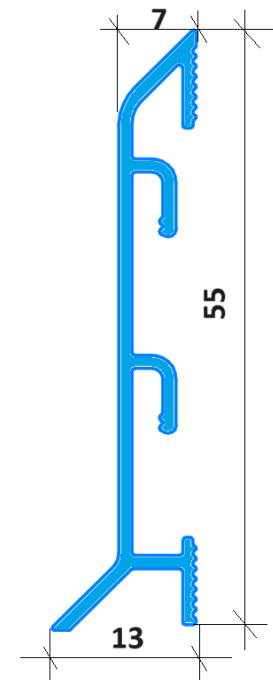
HIDDEN SKIRTINTH SGTR 009+ SGTR 009.1

SGTR 009.1

SGTR 009

The overhead plinth is aluminum with a height of 55 mm. The minimalist and modern design allows you to use it in a variety of styles. It is installed at the junction of the wall and the floor, covering the joint seam. Resistant to household chemicals and ultraviolet radiation. Main characteristics:

Manufacturer - Studio Segreto
Country of manufacture - Italy
Profile type - for the floor
Height 62 mm, seam 35 mm
Length 3000 mm or 6000 mm



STUDIO SEGRETO

PROFILE FOR WALL PANELS

SGTR 0010

Profile for joining wall panels is available in various colors according to your wishes. Various types of panels are used

Main characteristics:

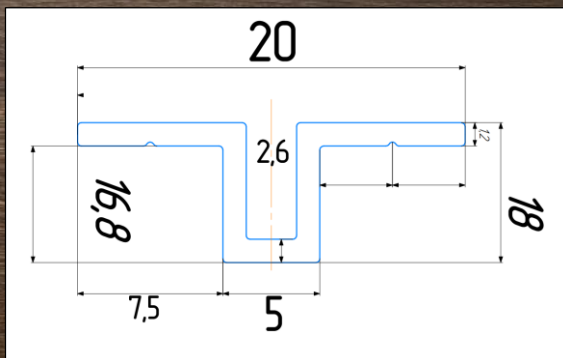
Manufacturer - Studio Segreto

Country of manufacture - Italy

Profile type - for wall panels

Width 5 mm

Length 3000 mm or 6000 mm



PROFILE FOR WALL PANELS

SGTR 008

Profile for joining wall panels with possibility used a LED strip is available in various colors according to your wishes. Various types of panels are used.

Main characteristics:

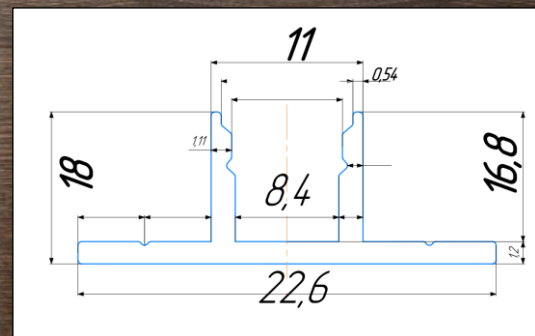
Manufacturer - Studio Segreto

Country of manufacture - Italy

Profile type - for wall panels

Width 11 mm

Length 3000 mm or 6000 mm



STUDIO SEGRETO

PROFILE FOR WALL PANELS

SGTR 0010

Profile for joining wall panels is available in various colors according to your wishes. Various types of panels are used

Main characteristics:

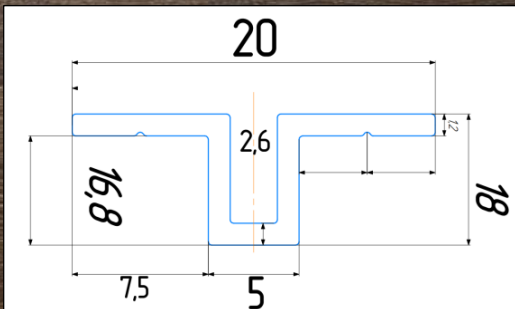
Manufacturer - Studio Segreto

Country of manufacture - Italy

Profile type - for wall panels

Width 5 mm

Length 3000 mm or 6000 mm



DOOR TRIM FOR ALL TYPES OF DOORS

COLOR TO CHOICE



UNIVERSAL DOOR TRIM
SGTR 0014



ALUMINUM UNIVERSAL DOOR TRIM FOR ALL TYPES OF DOORS



COLOR TO CHOICE

powder painting, color
anodizing,
polishing, custom color

Main characteristics:

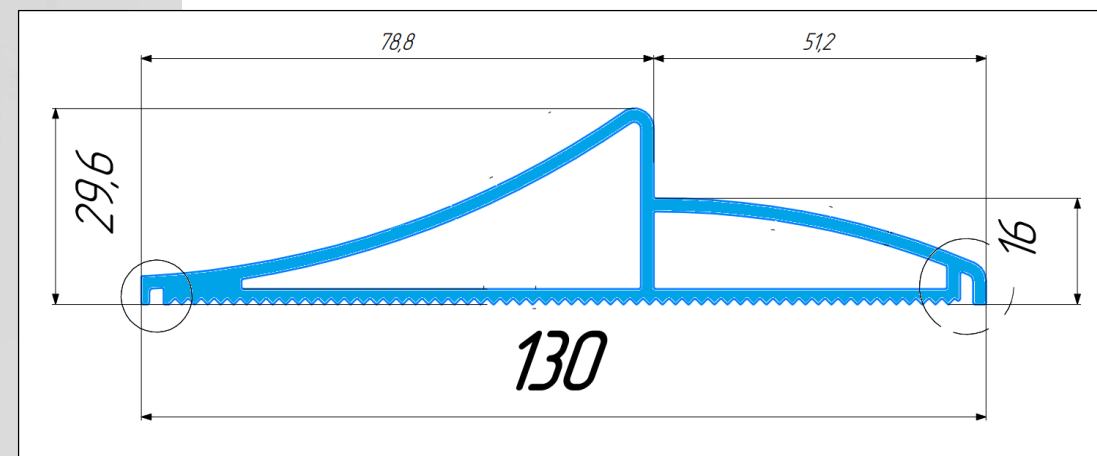
Manufacturer - Studio Segreto

Country of manufacture - Italy

Profile type- door trim

Height 29,6 mm, width 130 mm

Length 3000 mm or 6000 mm





110% MADE IN ITALY



WWW.STUDIOSEGRETO.COM

EMAIL: STUDIOSEGRETO.COM@GMAIL.COM