

W o r k s   s p a c e   f o r   b u s i n e s

Creation of aluminum products

P r o d u c t i o n   a n d   D e l i v e r y

MATERIALS FOR INTERIOR DESIGN  
AND CONSTRUCTION MARKET

STUDIO SEGRETO



We know how to create Aluminum products!

Always high-quality materials  
MADE IN ITALY!



powder painting, color  
anodizing,  
polishing, custom color  
selection!

Manufacturing company!



WE SEND GOODS TO ANYWHERE IN THE  
WORLD



AUTOMATED PRODUCTION



YOU CAN CHOOSE COLOR



# SET OF PROFILES FOR THE PRODUCTION OF INTERIOR DOORS

SECRET DOORS +  
DOORS WITH PLATBAND

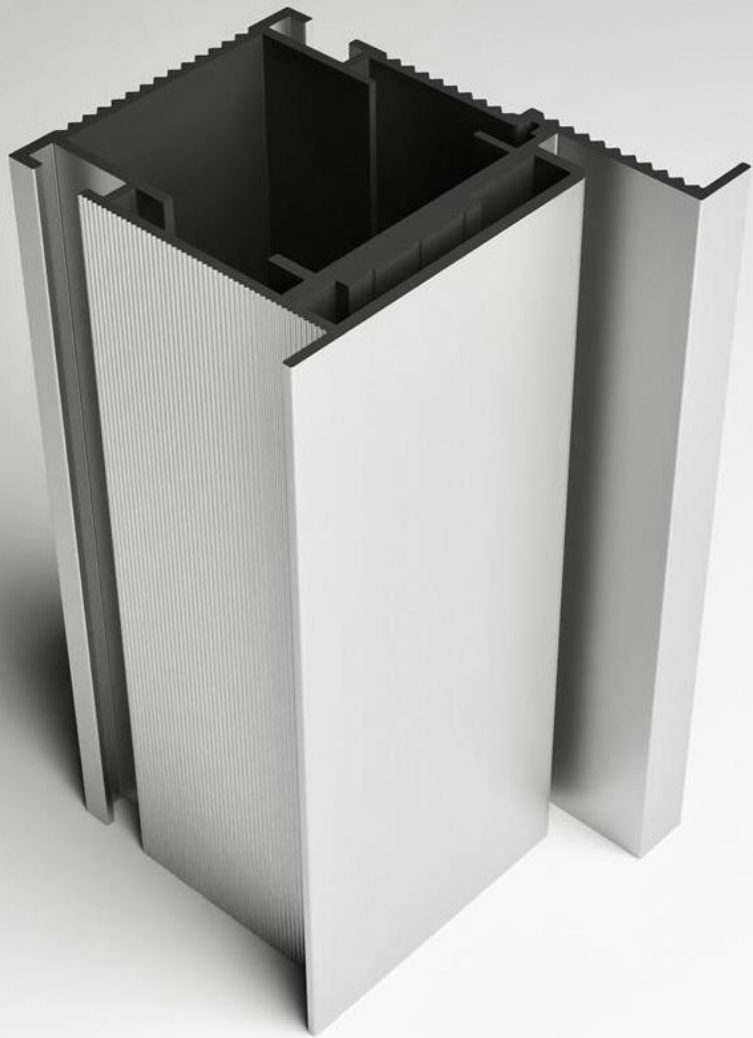


THE STRUCTURE OF PROFILES DOOR FRAME AND DOOR LEAF ALLOWS THE PRODUCTION OF INTERIOR DOORS WITH VARIOUS FINISHES DESIGN: PAINTING, VENEER, GLASS, STONE, FABRIC, METAL, HPL, AND OTHER PLATE MATERIALS.

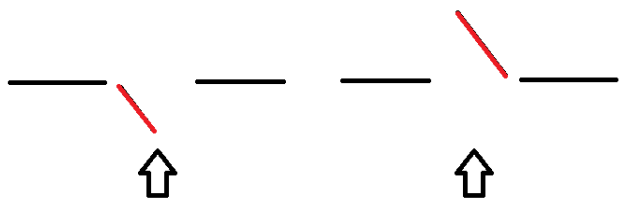
THE HEIGHT OF THE DOOR CAN BE MORE THAN 3 METERS LIMITED ONLY TO HEIGHT DECORATIVE COVERING AND BY LOAD ON DOOR HINGES

UNIVERSAL PROFILE FOR EXTERNAL  
AND INTERNAL OPENING

STUDIO SEGRETO

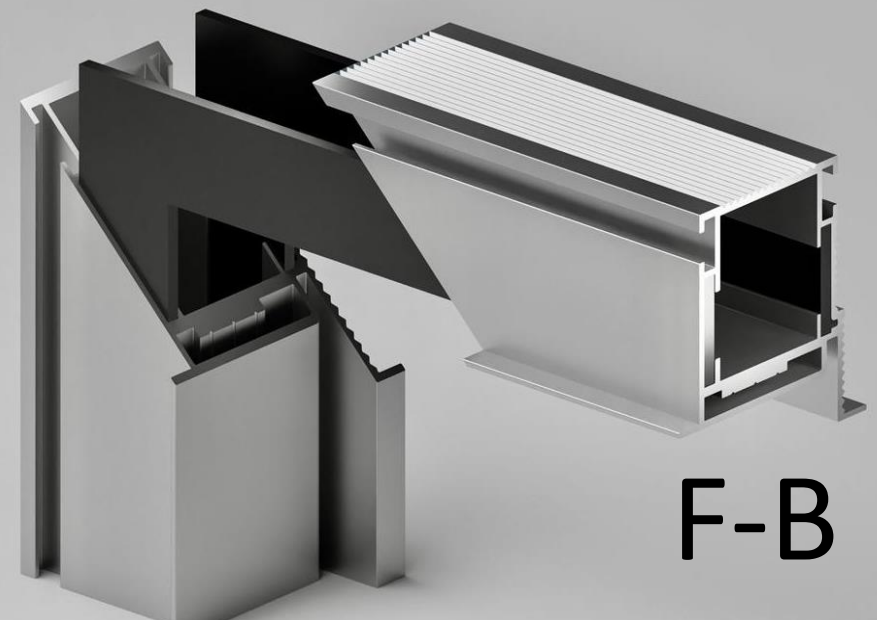
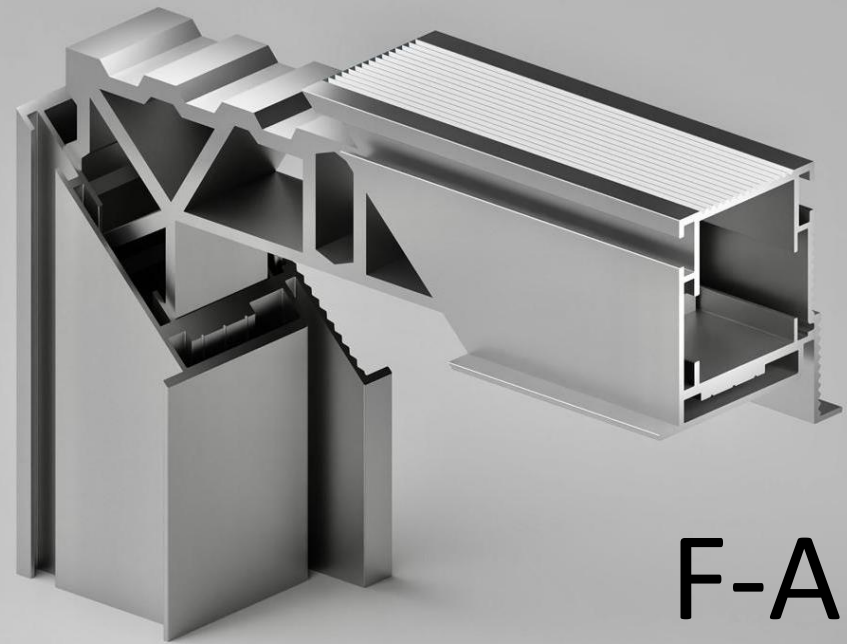


UNIVERSAL PROFILE FOR EXTERNAL  
AND INTERNAL OPENING DOOR

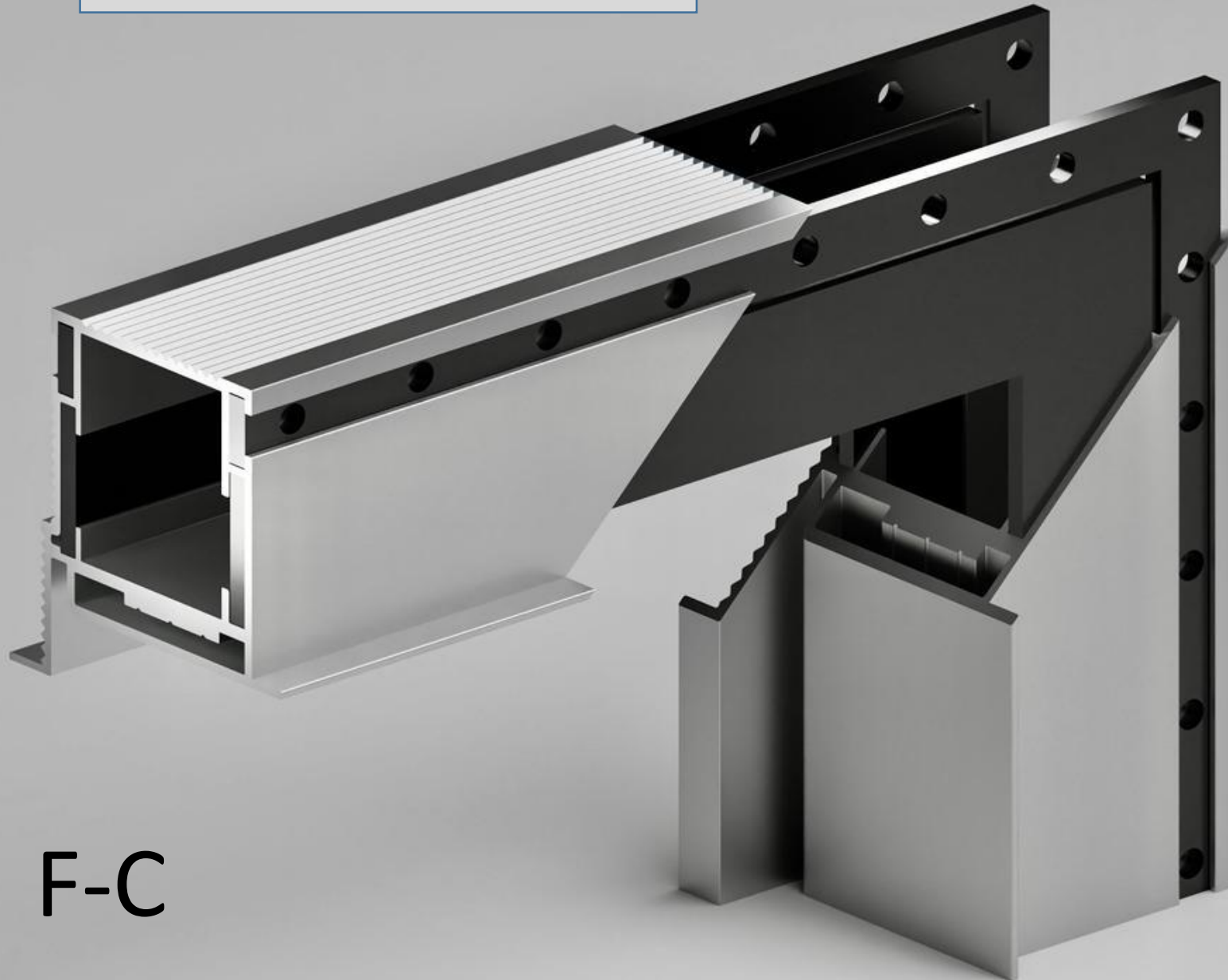




## CONNECTION DOOR FRAME



CONNECTION DOOR FRAME  
IN A FEW MINUTES



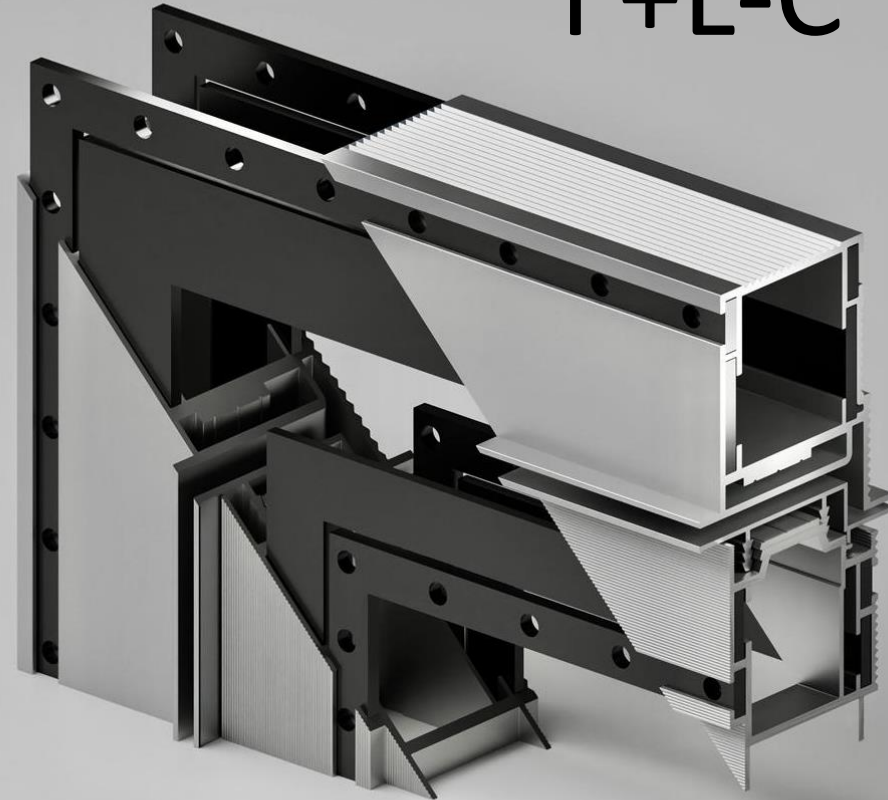
F-C

# CONNECTION DOOR FRAME + DOOR LEAF IN A FEW MINUTES

F+L-B



F+L-C

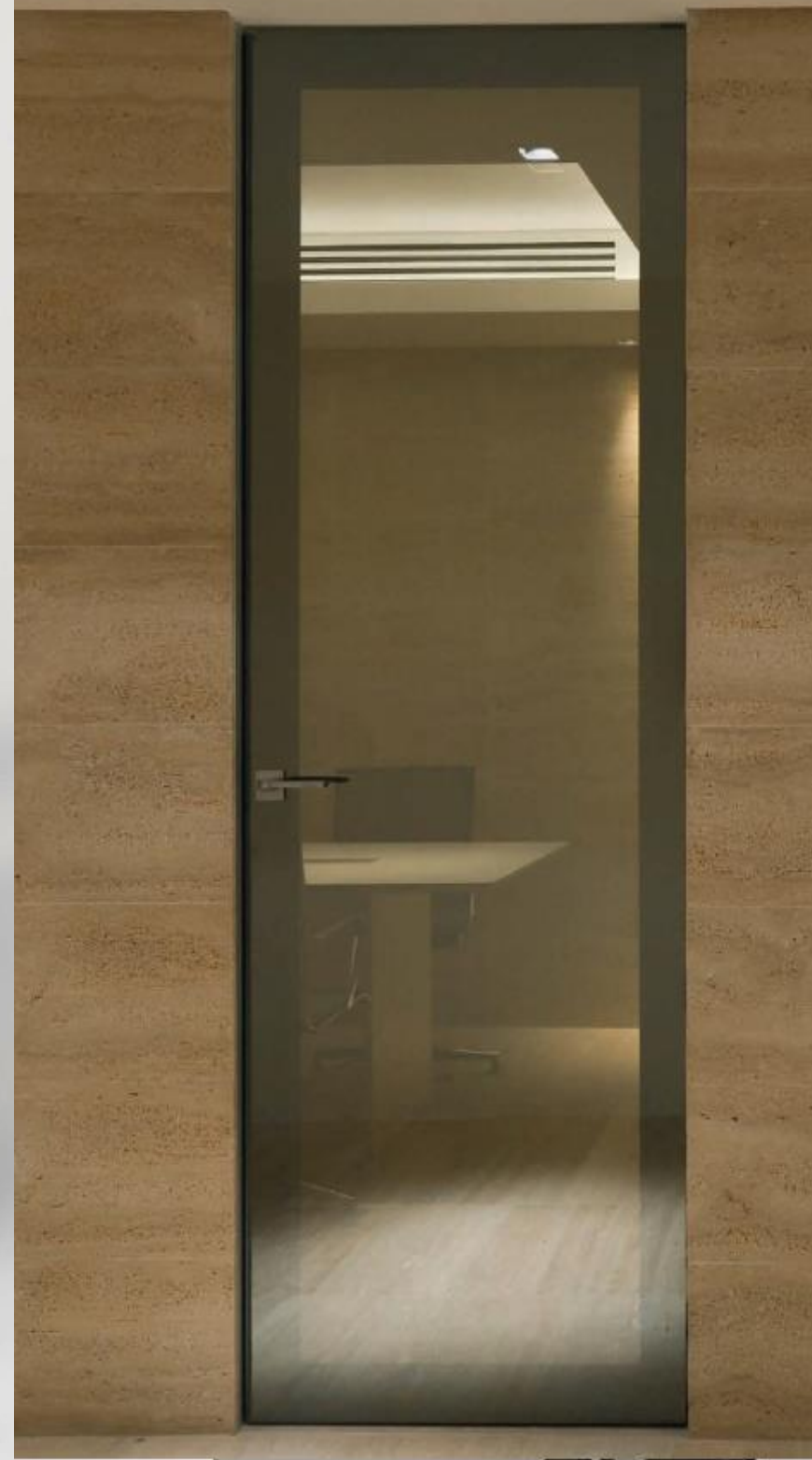


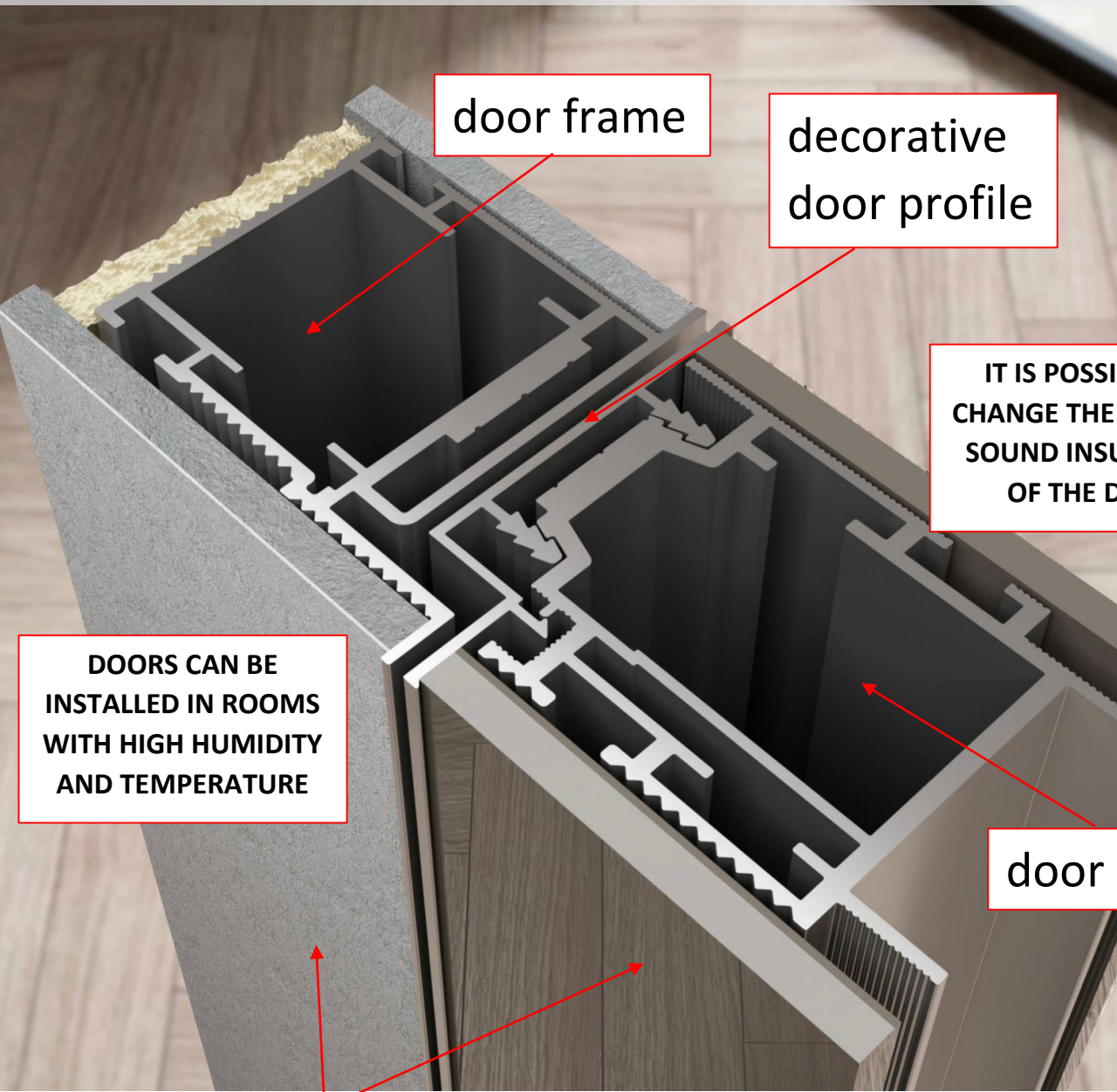
110% MADE IN ITALY

RELIABILITY OF ALL CONNECTING ELEMENTS + SPEED OF ASSEMBLY ALLOWING YOU TO PRODUCE DOORS OF IDEAL GEOMETRY WITH A HEIGHT ABOVE 3 METERS USING ALMOST ALL DECORATIVE MATERIALS THAT ARE AVAILABLE ON THE MARKET









door frame

decorative door profile

IT IS POSSIBLE TO CHANGE THE LEVEL OF SOUND INSULATION OF THE DOOR

DOORS CAN BE INSTALLED IN ROOMS WITH HIGH HUMIDITY AND TEMPERATURE

door leaf

- SET DOOR FRAME**
- door frame profile
  - connecting corners
  - box seal black or gray
  - optional hidden hinges 3D
  - optional magnetic locks

- SET DOOR LEAF**
- door leaf profile
  - connecting corners
  - decorative profile of the door leaf
  - optional hidden hinges 3D
  - optional magnetic locks

optionally it is possible to cut and mill the profile to the

**DECORATIVE PANEL: DECORATIVE PLASTER, MDF PAINTING, CDF, VENEER, GLASS, STONE, FABRIC, METAL, HPL, CHIPBOARD AND OTHER PLATE MATERIALS**

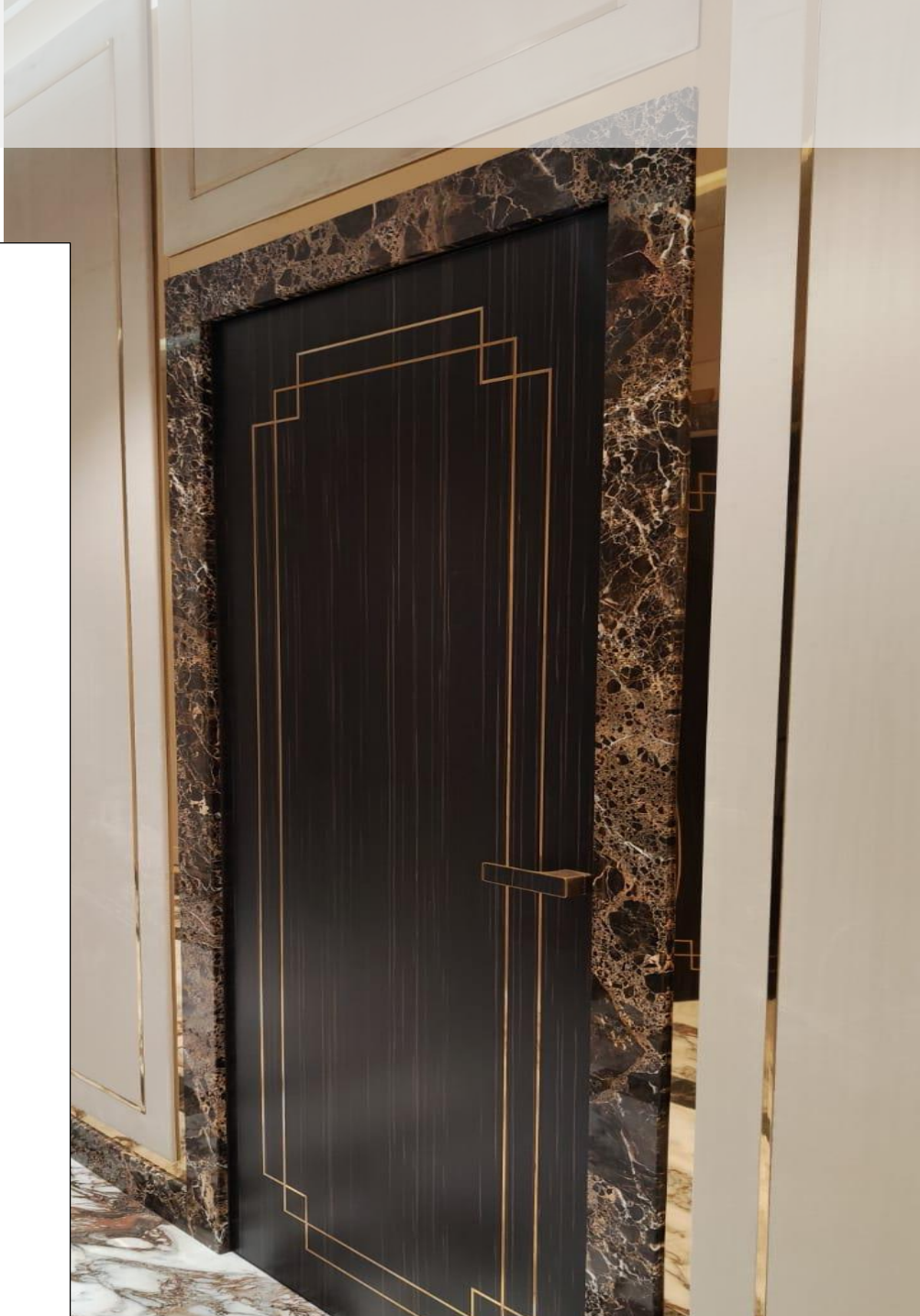
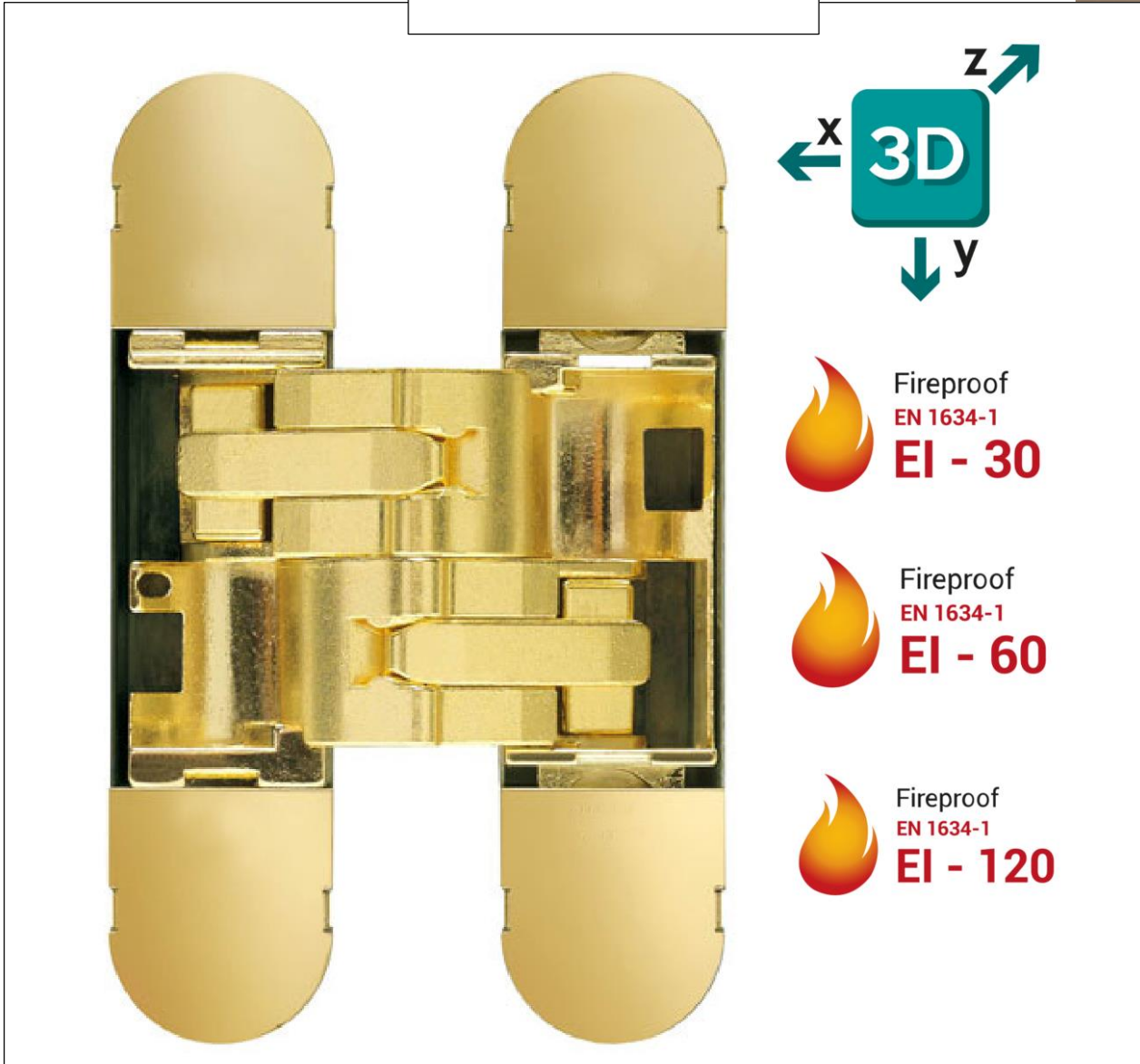


aluminum  
door end

doors can be with  
platband  
(aluminum,  
wooden, stone,  
glas, mdf...)



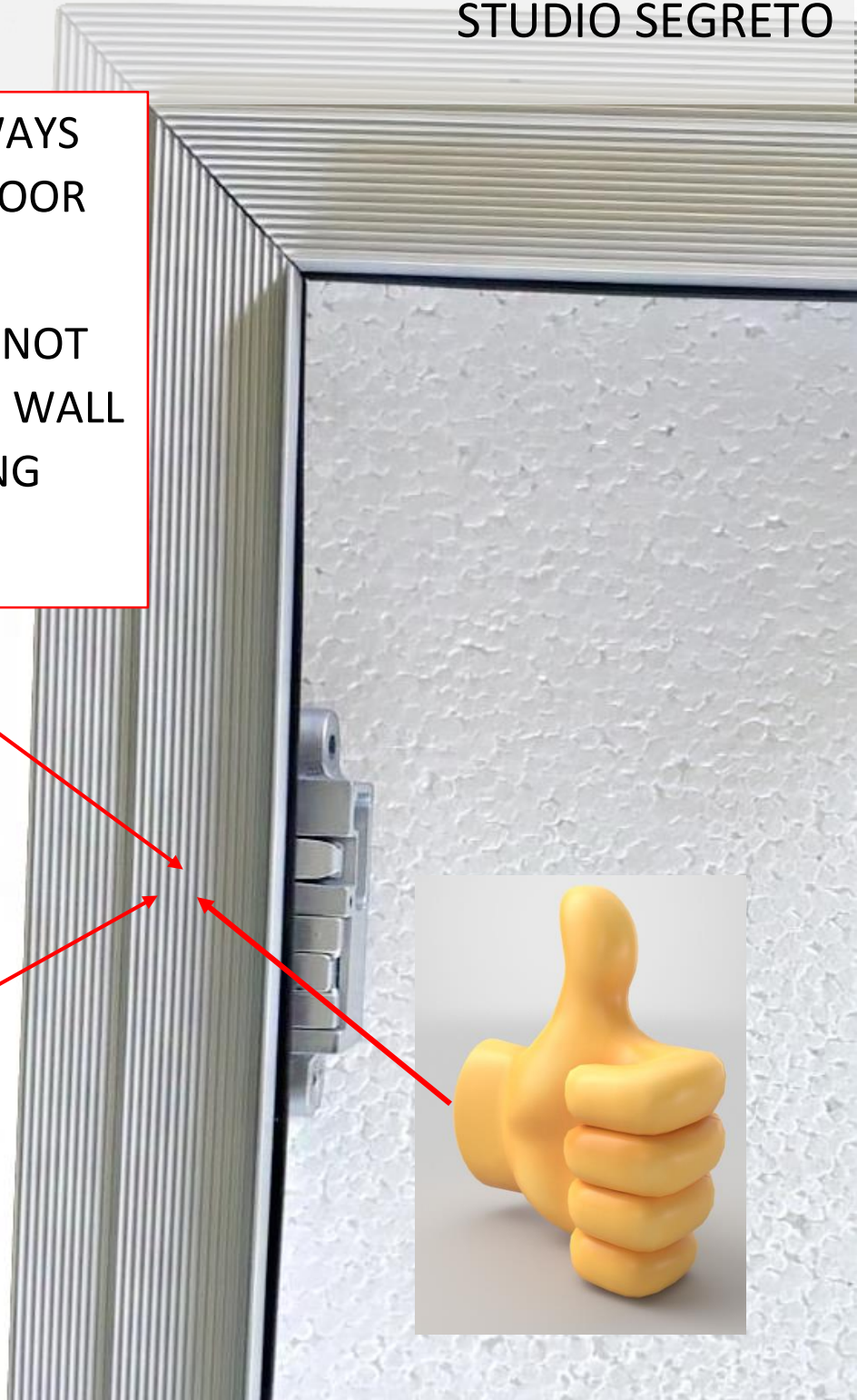
HIDDEN HINGES



SILVER, BRONZE, BRUSHED BRONZE, MATT CROME, NIKEL, SAMPAGNE, SATIN NIKES, BRASS, BLACK



THE HINGES ARE ALWAYS HIDDEN INSIDE THE DOOR FRAME PROFILE!  
THIS SOLUTION DOES NOT ALLOW CRACKS ON THE WALL AFTER THE FINISHING COVERING!



DOOR TRIM FOR ALL TYPES OF DOORS

COLOR TO CHOICE



UNIVERSAL DOOR TRIM  
SGTR 0014



# ALUMINUM UNIVERSAL DOOR TRIM FOR ALL TYPES OF DOORS



## COLOR TO CHOICE

powder painting, color  
anodizing,  
polishing, custom color

### Main characteristics:

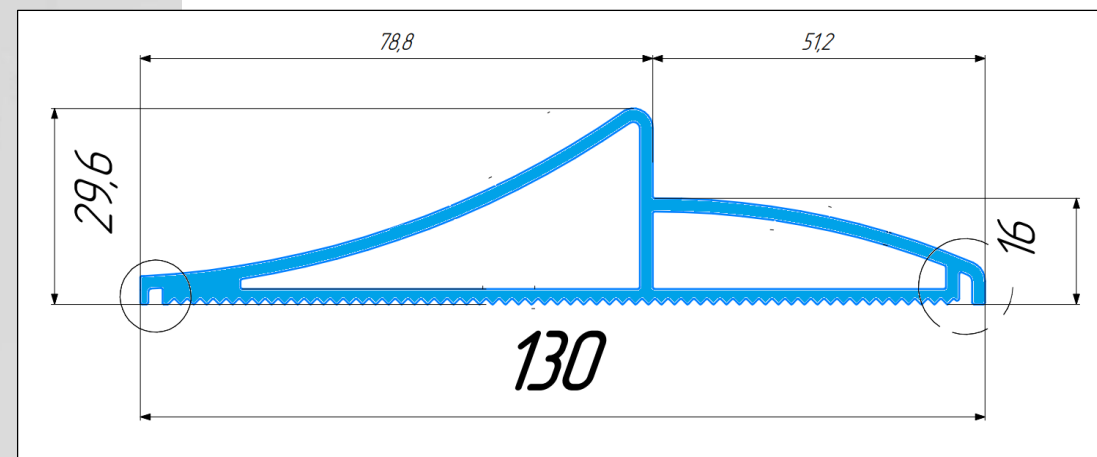
Manufacturer - Studio Segreto

Country of manufacture - Italy

Profile type- door trim

Height 29,6 mm, width 130 mm

Length 3000 mm or 6000 mm



YOU CAN CHOOSE YOUR DESIGN



YOU CAN CHOOSE PRICE



YOU CAN CHOOSE THE SIZE OF THE DOOR HEIGHT UP TO 6 METERS





110% MADE IN ITALY



[WWW.STUDIOSEGRETO.COM](http://WWW.STUDIOSEGRETO.COM)

EMAIL:

STUDIOSEGRETO.COM@GMAIL.COM